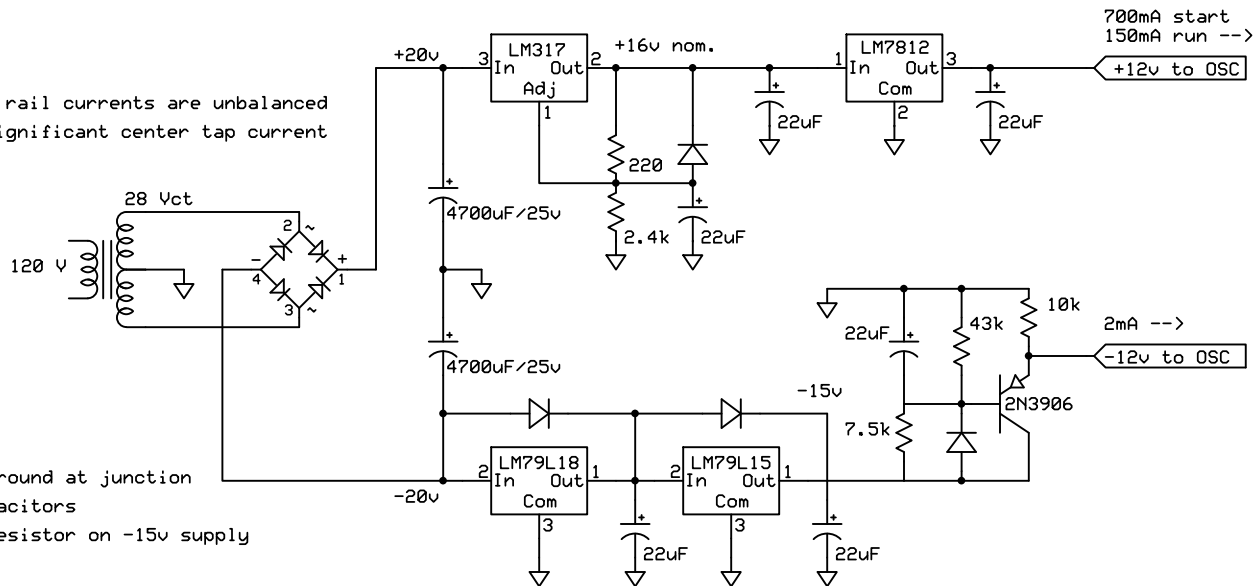
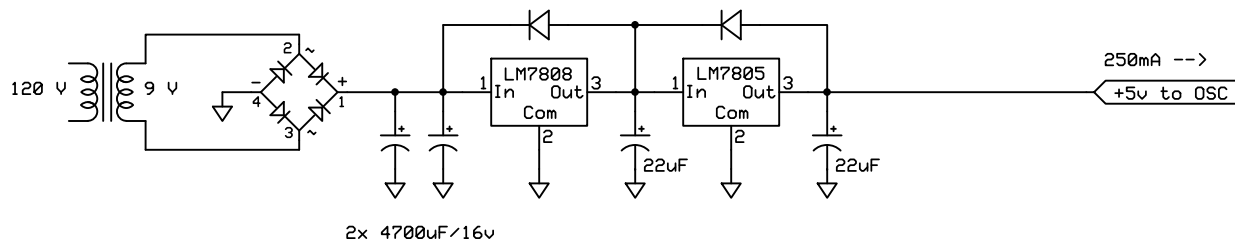


Note that + and - rail currents are unbalanced  
This will cause significant center tap current



Use single-point ground at junction  
of main filter capacitors

Consider a bleed resistor on -15v supply



All diodes are 1N400x

All 22uF capacitors are solid tantalum

<b>Power Supply</b>		
<b>For Trimble Thunderbolt</b>		
Approved DTS	Rev 1.0	Page 1 of 1
	10/20/2009	